



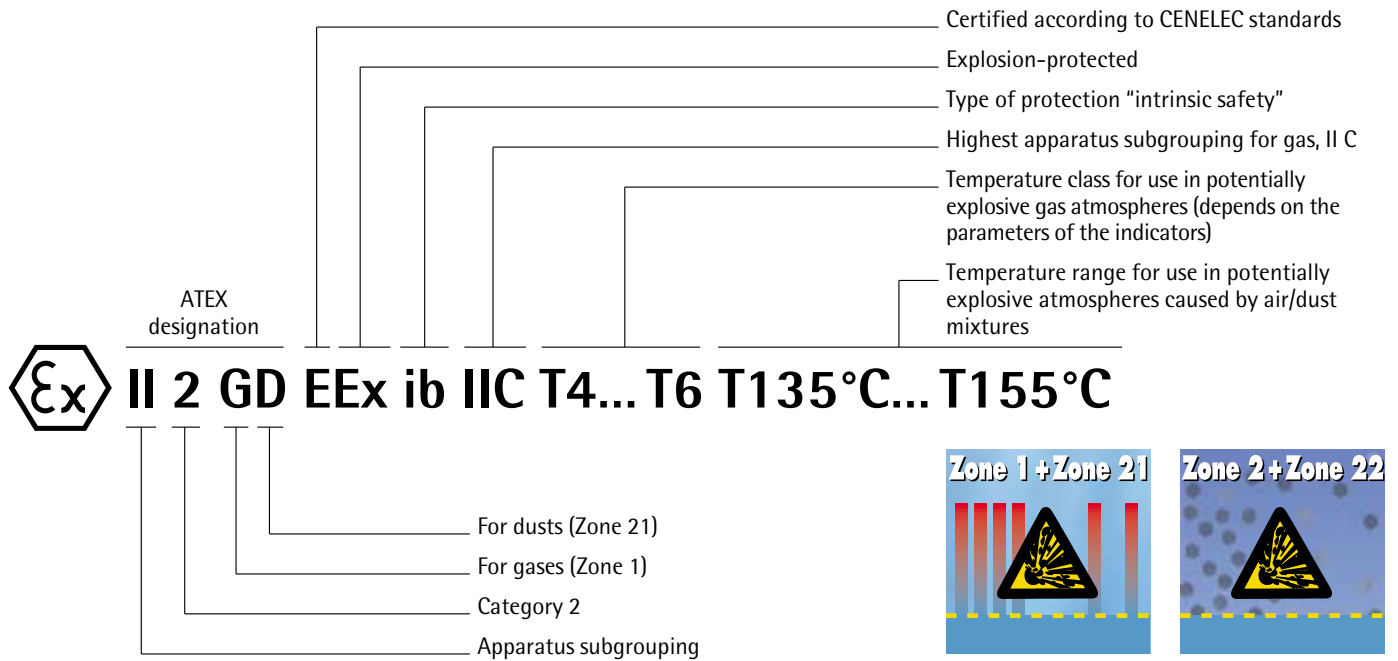
**Sartorius Combics Ex**  
Explosion-protected  
platforms from  
3 kg to 3,000 kg

## Sartorius Combics. Rugged platforms, ready for hard work.

This new generation of explosion-protected Combics platforms from Sartorius is ATEX-compliant and can be operated in areas where explosive gas and dust mixtures occur. As weight sensors, these platforms are flexible for use with other suitable products of the Sartorius group ranging from stand-alone weighing workstations (with an indicator set up in the hazardous area) to process equipment configurations connected to transmis-

sion or control systems (transmitters or controllers set up in a hazardous area for recipe weighing, batching and filling systems). To simplify final approval of your explosion-protected weighing system and save money, we supply documents verifying the intrinsic safety of our Combics platforms right with the scale itself.

The tables on the next four pages show all of the stainless steel Sartorius Combics Ex platforms. Here you'll find all of the dimensions, key technical specifications and model codes you need to order exactly the weighing platform you want. If you still have any questions, your Sartorius sales consultants and dealers will be happy to help.



# Sartorius Combics – the stainless steel platforms. All models. All sizes. All order code numbers.



Combics is a modular system, giving you a broad range of combinations to choose from. On the one hand, this is a good thing – a wide selection means you can choose the combination that meets all of your quality assurance requirements...

...but on the other hand, this means an awful lot of order code numbers to keep track of. To save you time while ordering, we've listed the performance features and order code numbers in tables, so you can find the code you need by looking up the features you want. The table below on this double page gives the features and order code numbers for all stainless steel platforms.

Here is an example to show you how to find your order number code:

Say you want a Sartorius Combics platform with a weighing capacity of 1,500 kg, platform dimensions of 1,000×1,000 mm, and a resolution of 50 g (30,000 d). In this case, the order code number is put together as follows:

First part of the order code number:

Weighing capacity in kg 1,500  
+ Size in mm 1,000×1,000  
= Model code CAPXS4-1500LL

Second part of the order code number:

Resolution  
30,000 d in g 50  
Model code extension CAPXS4-1500LL-I

The table also gives the following information:

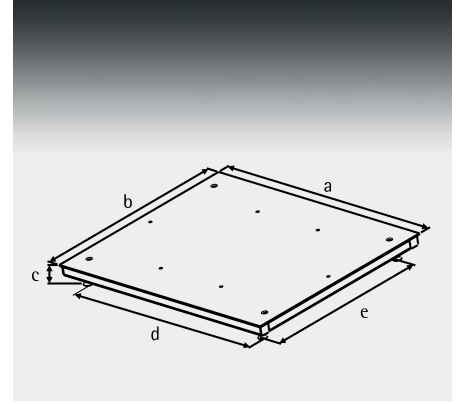
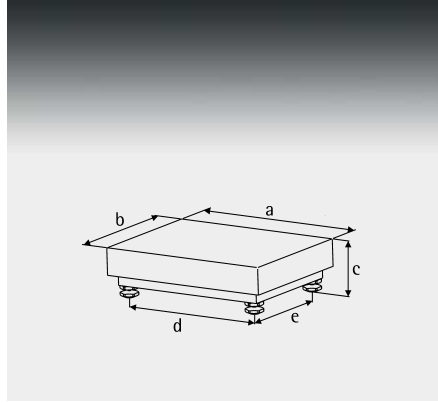
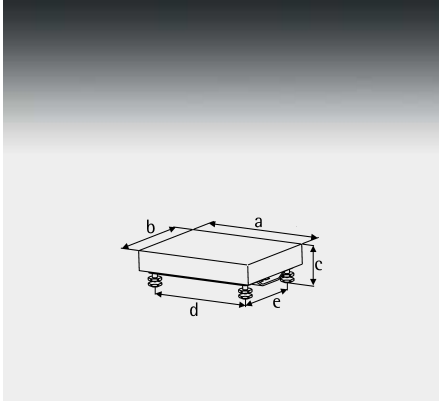
The base frame is made of AISI 304 stainless steel; the load plate is made of AISI 304 stainless steel; the connecting cable is 6 m long (19.5 ft); the protection rating is IP67; and a drive-on ramp of AISI 304 stainless steel, with smooth or tread-plate surface finish, as well as an AISI 304 stainless steel frame for pit installation, are available as optional accessories.

## Combics stainless steel platforms

Can be used in hazardous areas of the following Zone classifications: 1, 2 (gases) and 21, 22 (dusts)

Weighing capacity in kg	Size in mm	Model code	3,000 e Resolution in g	Model code extension	2×3,000 e Weighing range 1 in kg	Resolution in g	Weighing range 2 in kg	Resolution in g	Model code extension	15,000 d Resolution in g	Model code extension
3	320×240	CAPXS1-3DC	1	-LCE	1,5	0,5	3	1	-NCE	0,2	-L
6	320×240	CAPXS1-6DC	2	-LCE	3	1	6	2	-NCE	0,5	-L
15	320×240	CAPXS1-15DC	5	-LCE	6	2	15	5	-NCE	1	-L
30	400×300	CAPXS1-30ED	10	-LCE	15	5	30	10	-NCE	2	-L
30	500×400	CAPXS1-30FE	10	-LCE	15	5	30	15	-NCE	2	-L
60	400×300	CAPXS1-60ED	20	-LCE	30	10	60	20	-NCE	5	-L
60	500×400	CAPXS1-60FE	20	-LCE	30	10	60	20	-NCE	5	-L
60	650×500	CAPXS4-60GF	20	-LCE	30	10	60	20	-NCE	5	-L
60	800×600	CAPXS4-60IG	20	-LCE	30	10	60	20	-NCE	5	-L
150	500×400	CAPXS1-150FE	50	-LCE	60	20	150	50	-NCE	10	-L
150	650×500	CAPXS4-150GF	50	-LCE	60	20	150	50	-NCE	10	-L
150	800×600	CAPXS4-150IG	50	-LCE	60	20	150	50	-NCE	10	-L
150	800×800	CAPS4-150II	50	-LCE	60	20	150	50	-NCE	10	-L
150	1,000×1,000	CAPS4-150LL	50	-LCE	60	20	150	50	-NCE	10	-L
150	1,250×1,250	CAPS4-150NN	50	-LCE	60	20	150	50	-NCE	10	-L
300	650×500	CAPXS4-300GF	100	-LCE	150	50	300	100	-NCE	20	-L
300	800×600	CAPXS4-300IG	100	-LCE	150	50	300	100	-NCE	20	-L
300	800×800	CAPS4-300II	100	-LCE	150	50	300	100	-NCE	20	-L
300	1,000×1,000	CAPS4-300LL	100	-LCE	150	50	300	100	-NCE	20	-L
300	1,250×1,250	CAPS4-300NN	100	-LCE	150	50	300	100	-NCE	20	-L
600	800×600	CAPXS4-600IG	200	-LCE	300	100	600	200	-NCE	50	-L
600	800×800	CAPS4-600II	200	-LCE	300	100	600	200	-NCE	50	-L
600	1,000×800	CAPS4-600LI	200	-LCE	300	100	600	200	-NCE	50	-L
600	1,000×1,000	CAPXS4-600LL	200	-LCE	300	100	600	200	-NCE	50	-L
600	1,250×1,000	CAPXS4-600NL	200	-LCE	300	100	600	200	-NCE	50	-L
600	1,250×1,250	CAPS4-600NN	200	-LCE	300	100	600	200	-NCE	50	-L
600	1,500×1,250	CAPXS4-600RN	200	-LCE	300	100	600	200	-NCE	50	-L
600	1,500×1,500	CAPXS4-600RR	200	-LCE	300	100	600	200	-NCE	50	-L
600	2,000×1,500	CAPXS4-600WR	200	-LCE	300	100	600	200	-NCE	50	-L
1,500	800×800	CAPS4-1500II	500	-LCE	600	200	1,500	500	-NCE	100	-L
1,500	1,000×800	CAPS4-1500LI	500	-LCE	600	200	1,500	500	-NCE	100	-L
1,500	1,000×1,000	CAPXS4-1500LL	500	-LCE	600	200	1,500	500	-NCE	100	-L
1,500	1,250×1,000	CAPXS4-1500NL	500	-LCE	600	200	1,500	500	-NCE	100	-L
1,500	1,250×1,250	CAPS4-1500NN	500	-LCE	600	200	1,500	500	-NCE	100	-L
1,500	1,500×1,250	CAPXS4-1500RN	500	-LCE	600	200	1,500	500	-NCE	100	-L
1,500	1,500×1,500	CAPXS4-1500RR	500	-LCE	600	200	1,500	500	-NCE	100	-L
1,500	2,000×1,500	CAPXS4-1500WR	500	-LCE	600	200	1,500	500	-NCE	100	-L
3,000	800×800	CAPS4-3000II	1,000	-LCE	1,500	500	3,000	1,000	-NCE	200	-L
3,000	1,000×800	CAPS4-3000LI	1,000	-LCE	1,500	500	3,000	1,000	-NCE	200	-L
3,000	1,000×1,000	CAPXS4-3000LL	1,000	-LCE	1,500	500	3,000	1,000	-NCE	200	-L
3,000	1,250×1,000	CAPXS4-3000NL	1,000	-LCE	1,500	500	3,000	1,000	-NCE	200	-L
3,000	1,250×1,250	CAPS4-3000NN	1,000	-LCE	1,500	500	3,000	1,000	-NCE	200	-L
3,000	1,500×1,250	CAPXS4-3000RN	1,000	-LCE	1,500	500	3,000	1,000	-NCE	200	-L
3,000	1,500×1,500	CAPXS4-3000RR	1,000	-LCE	1,500	500	3,000	1,000	-NCE	200	-L
3,000	2,000×1,500	CAPXS4-3000WR	1,000	-LCE	1,500	500	3,000	1,000	-NCE	200	-L
Custom capacities	Custom sizes	R		R					R		R

R = available on request, X = standard equipment, O = optional, A = accessories



Length	Width	Height	Spacing between leveling feet	
a (mm)	b (mm)	c (mm)	d (mm)	e (mm)
320	240	72	264	184
400	300	94	344	244
500	400	96	443	343

Length	Width	Height	Spacing between leveling feet	
a (mm)	b (mm)	c (mm)	d (mm)	e (mm)
650	500	90	550	400
800	600	90	700	500

Length	Width	Height	Spacing between leveling feet	
a (mm)	b (mm)	c (mm)	d (mm)	e (mm)
800	800	90	604	604
1,000	800	90	804	604
1,000	1,000	90	804	804
1,250	1,000	90	1,054	804
1,250	1,250	90	1,054	1,054
1,500	1,250	90	1,304	1,054
1,500	1,500	90	1,304	1,304
2,000	1,500	100	1,804	1,304

30,000d Reso- lution in g	Model code extension	Base frame AISI 304 stainless steel	Base frame AISI 316 Ti Electro- polished	Load plate AISI 304	Load plate AISI 316 Ti Electro- polished	Load plate AISI 304 Tread plate	Load plate Lift-up design (pressure- actuated lifting device)	Connecting cable	IP protection of the load cells	Number of load cells	Drive-on ramp AISI 304 Smooth	Tread plate		Pit frame AISI 304
0,1	-I	X	0	X	0			3 m	IP67	1				
0,2	-I	X	0	X	0			3 m	IP67	1				
0,5	-I	X	0	X	0			3 m	IP67	1				
1	-I	X	0	X	0			3 m	IP67	1				
1	-I	X	0	X	0			3 m	IP67	1				
2	-I	X	0	X	0			3 m	IP67	1				
2	-I	X	0	X	0			3 m	IP67	1				
2	-I	X	0	X	0			3 m	IP67	4				
2	-I	X	0	X	0			3 m	IP67	4	A	A	A	
5	-I	X	0	X	0			3 m	IP67	1				
5	-I	X	0	X	0			3 m	IP67	4				
5	-I	X	0	X	0	0	0	3 m	IP67	4	A	A	A	
5	-I	X	0	X	0	0	0	6 m	IP67	4	A	A	A	A
5	-I	X	0	X	0	0	0	6 m	IP67	4	A	A	A	A
5	-I	X	0	X	0	0	0	6 m	IP67	4	A	A	A	A
10	-I	X	0	X	0			3 m	IP67	4				
10	-I	X	0	X	0			3 m	IP67	4			A	A
10	-I	X	0	X	0	0	0	6 m	IP67	4	A	A	A	A
10	-I	X	0	X	0	0	0	6 m	IP67	4	A	A	A	A
10	-I	X	0	X	0	0	0	6 m	IP67	4	A	A	A	A
20	-I	X	0	X	0			3 m	IP67	4	A	A	A	A
20	-I	X	0	X	0	0	0	6 m	IP67	4	A	A	A	A
20	-I	X	0	X	0	0	0	6 m	IP67	4	A	A	A	A
20	-I	X	0	X	0	0	0	6 m	IP67	4	A	A	A	A
20	-I	X	0	X	0	0	0	6 m	IP67	4	A	A	A	A
20	-I	X	0	X	0	0	0	6 m	IP67	4	A	A	A	A
20	-I	X	0	X	0	0	0	6 m	IP67	4	A	A	A	A
20	-I	X	0	X	0	0	0	6 m	IP67	4	A	A	A	A
20	-I	X	0	X	0	0	0	6 m	IP67	4	A	A	A	A
20	-I	X	0	X	0	0	0	6 m	IP67	4	A	A	A	A
20	-I	X	0	X	0	0	0	6 m	IP67	4	A	A	A	A
20	-I	X	0	X	0	0	0	6 m	IP67	4	A	A	A	A
20	-I	X	0	X	0	0	0	6 m	IP67	4	A	A	A	A
20	-I	X	0	X	0	0	0	6 m	IP67	4	A	A	A	A
20	-I	X	0	X	0	0	0	6 m	IP67	4	A	A	A	A
50	-I	X	0	X	0	0	0	6 m	IP67	4	A	A	A	A
50	-I	X	0	X	0	0	0	6 m	IP67	4	A	A	A	A
50	-I	X	0	X	0	0	0	6 m	IP67	4	A	A	A	A
50	-I	X	0	X	0	0	0	6 m	IP67	4	A	A	A	A
50	-I	X	0	X	0	0	0	6 m	IP67	4	A	A	A	A
50	-I	X	0	X	0	0	0	6 m	IP67	4	A	A	A	A
50	-I	X	0	X	0	0	0	6 m	IP67	4	A	A	A	A
50	-I	X	0	X	0	0	0	6 m	IP67	4	A	A	A	A
100	-I	X	0	X	0	0	0	6 m	IP67	4	A	A	A	A
100	-I	X	0	X	0	0	0	6 m	IP67	4	A	A	A	A
100	-I	X	0	X	0	0	0	6 m	IP67	4	A	A	A	A
100	-I	X	0	X	0	0	0	6 m	IP67	4	A	A	A	A
100	-I	X	0	X	0	0	0	6 m	IP67	4	A	A	A	A
100	-I	X	0	X	0	0	0	6 m	IP67	4	A	A	A	A
100	-I	X	0	X	0	0	0	6 m	IP67	4	A	A	A	A
100	-I	X	0	X	0	0	0	6 m	IP67	4	A	A	A	A
100	-I	X	0	X	0	0	0	6 m	IP67	4	A	A	A	A
100	-I	X	0	X	0	0	0	6 m	IP67	4	A	A	A	A
R	R	R	R	R	R	R	R	Custom length						

# Configuration Examples

## Ex zone (hazardous area)

## Non-Ex area (safe area)

### Combics Ex platform with indicator for Zone 1



Platform



Indicator (e.g. FCT01-X), can be networked with up to eight workstations



Zener barrier



PC

### Combics Ex as a process platform connected to a transmitter and a controller\*



Platform



Transmitter



PLC or PC

### Combics Ex platform with controller for recipe-controlled batching processes | filling and discharging processes | continuous discharge controlling\*



Platform



Ex terminal



Intrinsically safe I/O interface

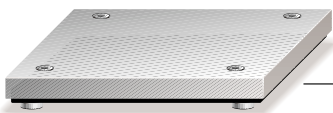


Intrinsically safe load cell interface

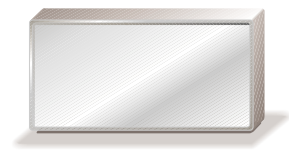


Controller (e.g., X5, PR 1730, PR 1713)

### Combics Ex platform for connection to any indicator with an intrinsically safe output (rated at least to Ex ib)



Platform incl. verification of intrinsic safety



Any indicator with an intrinsically safe output and the appropriate specifications

\* Please note: For these combinations, not all platforms may be used in legal-for-trade applications in the EU. Please ask your sales consultant to review your specific application.

## Sartorius Combics. The accessories.

Drive-on ramp, stainless steel, for platform sizes (length × width):*	
800 × 600 mm	YAR01CWS
800 × 800 mm and 1,000 × 800 mm	YAR06CWS
1,000 × 1,000 mm and 1,250 × 1,000 mm	YAR02CWS
1,250 × 1,250 mm and 1,500 × 1,250 mm	YAR03CWS
1,500 × 1,500 mm	YAR04CWS
2,000 × 1,500 mm	YAR05CWS
Drive-on ramp, stainless steel (tread plate) for platform sizes (length × width):*	
800 × 600 mm	YAR01CWST
800 × 800 mm and 1,000 × 800 mm	YAR06CWST
1,000 × 1,000 mm and 1,250 × 1,000 mm	YAR02CWST
1,250 × 1,250 mm and 1,500 × 1,250 mm	YAR03CWST
1,500 × 1,500 mm	YAR04CWST
2,000 × 1,500 mm	YAR05CWST
Drive-on ramp, AISI 316 Ti stainless steel, for platform sizes (length × width):*	
800 × 600 mm	YAR01CWS4
800 × 800 mm and 1,000 × 800 mm	YAR06CWS4
1,000 × 1,000 mm and 1,250 × 1,000 mm	YAR02CWS4
1,250 × 1,250 mm and 1,500 × 1,250 mm	YAR03CWS4
1,500 × 1,500 mm	YAR04CWS4
2,000 × 1,500 mm	YAR05CWS4
Drive-on ramp, AISI 316 Ti stainless steel (tread plate), for platform sizes (length × width):*	
800 × 600 mm	YAR01CWST4
1,000 × 1,000 mm and 1,250 × 1,000 mm	YAR02CWST4
1,250 × 1,250 mm and 1,500 × 1,250 mm	YAR03CWST4
1,500 × 1,500 mm	YAR04CWST4
2,000 × 1,500 mm	YAR05CWST4
Frame for pit installation, stainless steel, for platform sizes:	
800 × 600 mm	YEG01CWS
800 × 800 mm	YEG08CWS
1,000 × 800 mm	YEG07CWS
1,000 × 1,000 mm	YEG02CWS
1,250 × 1,000 mm	YEG03CWS
1,250 × 1,250 mm	YEG09CWS
1,500 × 1,250 mm	YEG04CWS
1,500 × 1,500 mm	YEG05CWS
2,000 × 1,500 mm	YEG06CWS

Column, stainless steel, for attaching indicator to platform, for sizes:	
320 × 240 mm, height: 330 mm	YDH01CWS
400 × 300 mm and 500 × 400 mm, height: 500 mm	YDH02CWS
500 × 400 mm, height: 750 mm	YDH03CWS
Bench, stainless steel, for size 400 × 300 mm	YWT01CWS
Bench, stainless steel, for size 500 × 300 mm	YWT02CWS
Bench, stainless steel, for size 650 × 500 mm	YWT03CWS
Bench, stainless steel, for size 800 × 600 mm	YWT04CWS
Column for bench, stainless steel, for attaching indicator, adjustable height	YDH01WTCWS

\* Please select the ramp that matches the width of your platform scale.

## Options – the magic word that means unbeatable convenience.

You are already familiar with the proven quality of accessories from Sartorius. Now, they are available with extra service: You can order the following accessories pre-assembled at the factory. This saves time and lets you start using your new platform as soon as you get it.

Load plate, AISI 304 stainless steel	R1
Load plate, AISI 316 Ti stainless steel, electropolished	R2
Load plate, tread plate pattern, painted	R3
Load plate, AISI 304 stainless steel, with tread plate pattern	R4
Base frame in AISI 316 Ti stainless steel, electropolished	S2
Kit for load plate with pressure-actuated lifting device	T1

Geass S.r.l.

Torino (Italy)  
Web site : [www.geass.com](http://www.geass.com)  
Tel.: + 39 011.22.91.578

Specifications subject to change without notice.  
Printed in Germany on paper that has been bleached without any use of chlorine.  
W/sart-121 · G  
Publication No.: WCO1005-e05103  
Order No.: 98649-003-41